

HIGHLY EFFICIENT HARD-MOUNT WASHER EXTRACTORS

PC
RANGE

PC 20

9KG



FEATURES

- Hard-mount, medium spin, up to 200 G-factor
- Stainless steel front panel & door, skin plate side panels
- Robotically welded frame
- Stainless steel drum and tub
- Control: Xtronic OPL – easy to use microprocessor
- 4-compartment soap box
- One piece cast bearing housing: long life span
- Heavy duty variable speed motor: smooth start and stop
- Patented “Water Guardian”: detects leaking valves
- Durable door latch and lock mechanism
- Large door opening: easy loading & unloading

OPTIONS

- Xtronic VEND – 4 cycles
- Stainless steel side panels
- Liquid soap pumps

MODEL		PC20	
CONTROL OPTION		Xtronic OPL Xtronic VEND	
CAPACITY - kg		9	
OVERALL WIDTH - mm		660	
*OVERALL DEPTH - mm		767	
OVERALL HEIGHT - mm		1092	
CYLINDER DIAMETER - mm		533	
CYLINDER DEPTH - mm		349	
CYLINDER VOLUME - liters		78.1	
DOOR OPENING SIZE - mm		295	
DOOR BOTTOM TO FLOOR - mm		365	
WATER INLET CONNECTION - mm		9	
DRAIN DIAMETER - mm		52	
DRAIN HEIGHT TO FLOOR - mm		114	
MOTOR POWER CONSUMPTION - kw		1 (.75)	
TOTAL # OF SPEEDS		6, 9	
CYLINDER SPEEDS - RPM (G-FORCE)		Gentle	37 (0.4)
		Wash	51 (.8)
		Distribution	92 (2.5)
		Very Low	301 (27)
		Low	518 (80)
		Medium	580 (100)
		** High	648 (120)
		**Very High	710 (150)
		**Ultra High	819 (200)
*** VOLTAGE/ CIRCUIT BREAK- ER - FLA	B	120/60/1	15-8
	X	200-208/220-240/50/60/1/3	15-4 (1 Ph) 15-3 (3 Ph)
	Q	200-208/220-240/50/60/3	15-3
	N	440-480/50/60/3	15-2
	P	380-415/50/60/3	15-2
SHIPPING DIMENSIONS APPROX. - mm		Width	711
		Depth	859
		Height	1229
NET WEIGHT - kg		152	
SHIPPING WEIGHT - kg		166	
SLAT CRATE SHIPPING WEIGHT - kg		204	
****AGENCY APPROVALS		c ETL _{us} CE	

*Overall depth includes vacuum breaker to door handle.

**High, Very High, and Ultra High Spin Speeds are available on the Xtronic OPL models only.

***Circuit breaker and amp draw data shown are for models without electric heat. Consult factory for other configurations. Manufacturer strongly recommends using a circuit breaker instead of fuses. Use 3-pole circuit breakers for 3-phase machines.

****Agency approvals may vary depending on configuration. Consult factory for details. Steam connection requires 1/2" N.P.T.

For the most accurate information, the installation guide should be used for all design and construction purposes. Due to continuous product improvements, design and specifications subject to change without notice. The quality management system of Alliance Laundry Systems has been registered to ISO 9001.

Xtronic OPL

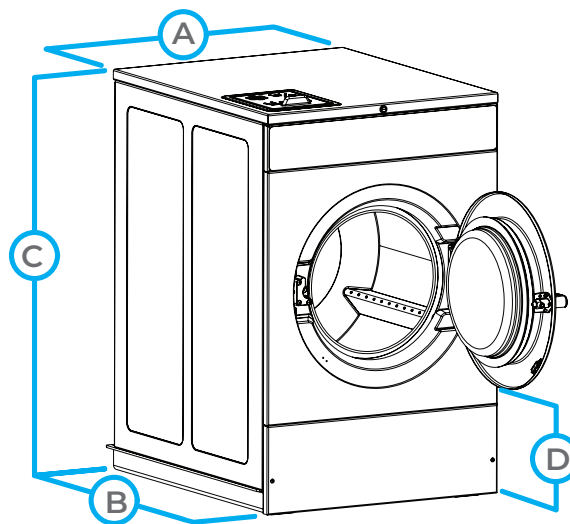


Customize your washing power with the ability to choose between three water levels while eliminating wasted water with advanced leak detection. PC programming, audit data retrieval and advanced diagnostics save time, while 200 G-Force extraction speeds reduce drying time and utility consumption.

Xtronic VEND



For laundry managers requiring basic management options, Xtronic VEND offers a 100 or 200 G-Force extraction speed, 4 cycle selections, 30 water levels, 2 cycle modifiers (Extra wash, Extra rinse) and manual programming.



MODEL	PC20
A. OVERALL WIDTH - mm	660
B. *OVERALL DEPTH - mm	767
C. OVERALL HEIGHT - mm	1092
D. DOOR BOTTOM TO FLOOR - mm	365

The Primus preserves the right to change the machines and the specification in this leaflet at any time, without prior notice. Details and photographs are only for information and never binding.

www.primuslaundry.com

Primus by Alliance Laundry Systems



HIGHLY EFFICIENT HARD-MOUNT WASHER EXTRACTORS

PC
RANGE

PC30

13,6KG



FEATURES

- Hard-mount, medium spin, up to 200 G-factor
- Stainless steel front panel & door, skin plate side panels
- Robotically welded frame
- Stainless steel drum and tub
- Control: Xtronic OPL – easy to use microprocessor
- 4-compartment soap box
- One piece cast bearing housing: long life span
- Heavy duty variable speed motor: smooth start and stop
- Patented “Water Guardian”: detects leaking valves
- Durable door latch and lock mechanism
- Large door opening: easy loading & unloading

OPTIONS

- Xtronic VEND – 4 cycles
- Stainless steel side panels
- Liquid soap pumps

MODEL		PC30	
CONTROL OPTION		Xtronic OPL Xtronic VEND	
CAPACITY - kg		13.6	
OVERALL WIDTH - mm		737	
*OVERALL DEPTH - mm		878	
OVERALL HEIGHT - mm		1142	
CYLINDER DIAMETER - mm		610	
CYLINDER DEPTH - mm		406	
CYLINDER VOLUME - liters		118	
DOOR OPENING SIZE - mm		364	
DOOR BOTTOM TO FLOOR - mm		356	
WATER INLET CONNECTION - mm		19	
DRAIN DIAMETER - in (mm)		52	
DRAIN HEIGHT TO FLOOR - mm		114	
MOTOR POWER CONSUMPTION - hp (kw)		1 (.75)	
TOTAL # OF SPEEDS		6, 9	
CYLINDER SPEEDS - RPM (G-FORCE)	Gentle	34 (0.4)	
	Wash	48 (.8)	
	Distribution	86 (2.5)	
	Very Low	282 (27)	
	Low	485 (80)	
	Medium	542 (100)	
	** High	606 (120)	
	**Very High	664 (150)	
	**Ultra High	766 (200)	
*** VOLTAGE/ CIRCUIT BREAKER - FLA	B	120/60/1	20-16
	X	200-208/220- 240/50/60/1/3	15-6 (1 Ph) 15-4 (3 Ph)
	Q	200-208/220-240/50/60/3	15-4
	N	440-480/50/60/3	15-3
	P	380-415/50/60/3	15-3
SHIPPING DIMENSIONS APPROX. - mm		Width 800	
		Depth 973	
		Height 1303	
NET WEIGHT - kg		209	
SHIPPING WEIGHT - kg		225	
SLAT CRATE SHIPPING WEIGHT - kg		268	
****AGENCY APPROVALS		c ETL _{us} CE	

*Overall depth includes vacuum breaker to door handle.

**High, Very High, and Ultra High Spin Speeds are available on the Xtronic OPL models only.

***Circuit breaker and amp draw data shown are for models without electric heat. Consult factory for other configurations. Manufacturer strongly recommends using a circuit breaker instead of fuses. Use 3-pole circuit breakers for 3-phase machines.

****Agency approvals may vary depending on configuration. Consult factory for details. Steam connection requires 1/2" N.P.T.

For the most accurate information, the installation guide should be used for all design and construction purposes. Due to continuous product improvements, design and specifications subject to change without notice. The quality management system of Alliance Laundry Systems has been registered to ISO 9001.

Xtronic OPL

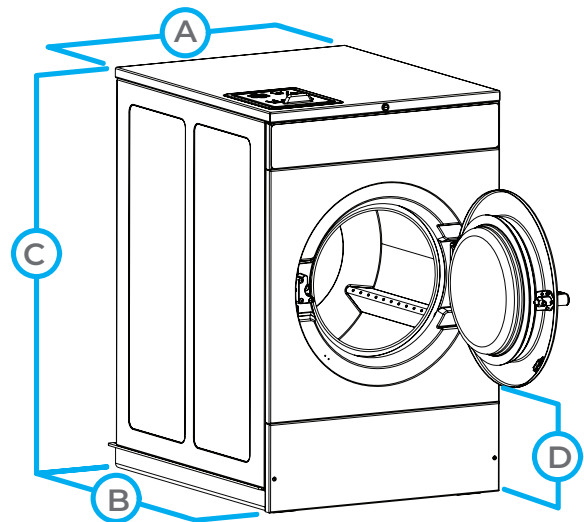


Customize your washing power with the ability to choose between three water levels while eliminating wasted water with advanced leak detection. PC programming, audit data retrieval and advanced diagnostics save time, while 200 G-Force extraction speeds reduce drying time and utility consumption.

Xtronic VEND



For laundry managers requiring basic management options, Xtronic VEND offers a 100 or 200 G-Force extraction speed, 4 cycle selections, 30 water levels, 2 cycle modifiers (Extra wash, Extra rinse) and manual programming.



MODEL	PC30
A. OVERALL WIDTH - in (mm)	737
B. *OVERALL DEPTH - in (mm)	878
C. OVERALL HEIGHT - in (mm)	1142
D. DOOR BOTTOM TO FLOOR - in (mm)	356

The Primus preserves the right to change the machines and the specification in this leaflet at any time, without prior notice. Details and photographs are only for information and never binding.

www.primuslaundry.com

Primus by Alliance Laundry Systems



HIGHLY EFFICIENT HARD-MOUNT WASHER EXTRACTORS

PC
RANGE

PC40

18KG



FEATURES

- Hard-mount, medium spin, up to 200 G-factor
- Stainless steel front panel & door, skin plate side panels
- Robotically welded frame
- Stainless steel drum and tub
- Control: Xtronic OPL – easy to use microprocessor
- 4-compartment soap box
- One piece cast bearing housing: long life span
- Heavy duty variable speed motor: smooth start and stop
- Patented “Water Guardian”: detects leaking valves
- Durable door latch and lock mechanism
- Large door opening: easy loading & unloading

OPTIONS

- Xtronic VEND – 4 cycles
- Stainless steel side panels
- Liquid soap pumps

MODEL		PC40	
CONTROL OPTION		Xtronic OPL Xtronic VEND	
CAPACITY - kg		18	
OVERALL WIDTH - mm		778	
*OVERALL DEPTH - mm		1009	
OVERALL HEIGHT - mm		1199	
CYLINDER DIAMETER - mm		667	
CYLINDER DEPTH - mm		514	
CYLINDER VOLUME - liters		180	
DOOR OPENING SIZE - mm		413	
DOOR BOTTOM TO FLOOR - mm		368	
WATER INLET CONNECTION - mm		19	
DRAIN DIAMETER - mm		76	
DRAIN HEIGHT TO FLOOR - mm		122	
MOTOR POWER CONSUMPTION - hp (kw)		2 (1.7)	
TOTAL # OF SPEEDS		6, 9	
CYLINDER SPEEDS - RPM (G-FORCE)		Gentle	33 (0.4)
		Wash	46 (.8)
		Distribution	82 (2.5)
		Very Low	269 (27)
		Low	464 (80)
		Medium	518 (100)
		** High	579 (120)
		**Very High	635 (150)
		**Ultra High	733 (200)
*** VOLTAGE/ CIRCUIT BREAKER - FLA	B	120/60/1	20-16
	X	200-208/220- 240/50/60/1/3	15-7 (1 Ph) 15-4 (3 Ph)
	Q	200-208/220-240/50/60/3	15-4
	N	440-480/50/60/3	15-3
	P	380-415/50/60/3	15-3
SHIPPING DIMENSIONS APPROX. - mm		Width	826
		Depth	1105
		Height	1361
NET WEIGHT - kg		249	
SHIPPING WEIGHT - kg		268	
SLAT CRATE SHIPPING WEIGHT - kg		313	
****AGENCY APPROVALS		c ETL _{us} CE	

*Overall depth includes vacuum breaker to door handle.

**High, Very High, and Ultra High Spin Speeds are available on the Xtronic OPL models only.

***Circuit breaker and amp draw data shown are for models without electric heat. Consult factory for other configurations. Manufacturer strongly recommends using a circuit breaker instead of fuses. Use 3-pole circuit breakers for 3-phase machines.

****Agency approvals may vary depending on configuration. Consult factory for details. Steam connection requires 1/2" N.P.T.

For the most accurate information, the installation guide should be used for all design and construction purposes. Due to continuous product improvements, design and specifications subject to change without notice. The quality management system of Alliance Laundry Systems has been registered to ISO 9001.

Xtronic OPL

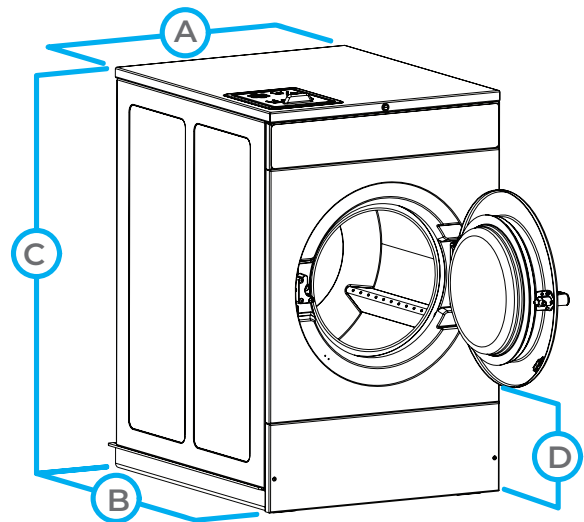


Customize your washing power with the ability to choose between three water levels while eliminating wasted water with advanced leak detection. PC programming, audit data retrieval and advanced diagnostics save time, while 200 G-Force extraction speeds reduce drying time and utility consumption.

Xtronic VEND



For laundry managers requiring basic management options, Xtronic VEND offers a 100 or 200 G-Force extraction speed, 4 cycle selections, 30 water levels, 2 cycle modifiers (Extra wash, Extra rinse) and manual programming.



MODEL	PC40
A. OVERALL WIDTH - mm	778
B. *OVERALL DEPTH - mm	1009
C. OVERALL HEIGHT - mm	1199
D. DOOR BOTTOM TO FLOOR - mm	368

The Primus preserves the right to change the machines and the specification in this leaflet at any time, without prior notice. Details and photographs are only for information and never binding.

www.primuslaundry.com

Primus by Alliance Laundry Systems



HIGHLY EFFICIENT HARD-MOUNT WASHER EXTRACTORS

PC
RANGE

PC60

27KG



FEATURES

- Hard-mount, medium spin, up to 200 G-factor
- Stainless steel front panel & door, skin plate side panels
- Robotically welded frame
- Stainless steel drum and tub
- Control: Xtronic OPL – easy to use microprocessor
- 4-compartment soap box
- One piece cast bearing housing: long life span
- Heavy duty variable speed motor: smooth start and stop
- Patented “Water Guardian”: detects leaking valves
- Durable door latch and lock mechanism
- Large door opening: easy loading & unloading

OPTIONS

- Xtronic VEND – 4 cycles
- Stainless steel side panels
- Liquid soap pumps

MODEL		PC60		
CONTROL OPTION		Xtronic OPL Xtronic VEND		
CAPACITY - kg		27		
OVERALL WIDTH - mm		865		
*OVERALL DEPTH - mm		1081		
OVERALL HEIGHT - mm		1267		
CYLINDER DIAMETER - mm		762		
CYLINDER DEPTH - mm		559		
CYLINDER VOLUME - liters		255		
DOOR OPENING SIZE - mm		413		
DOOR BOTTOM TO FLOOR - mm		379		
WATER INLET CONNECTION - mm		19		
DRAIN DIAMETER - mm		76		
DRAIN HEIGHT TO FLOOR - mm		119		
MOTOR POWER CONSUMPTION - hp (kw)		3 (2.2)		
TOTAL # OF SPEEDS		6, 9		
CYLINDER SPEEDS - RPM (G-FORCE)		Gentle	31 (0.4)	
		Wash	43 (.8)	
		Distribution	77 (2.5)	
		Very Low	252 (27)	
		Low	434 (80)	
		Medium	485 (100)	
		** High	542 (120)	
		**Very High	594 (150)	
*** VOLTAGE/ CIRCUIT BREAKER - FLA		X	200-208/220- 240/50/60/1/3	15-10 (1 Ph) 15-6 (3 Ph)
		Q	200-208/220-240/50/60/3	15-6
		N	440-480/50/60/3	15-4
		P	380-415/50/60/3	15-4
SHIPPING DIMENSIONS APPROX. - mm		Width	953	
		Depth	1191	
		Height	1430	
NET WEIGHT - kg		315		
SHIPPING WEIGHT - kg		338		
SLAT CRATE SHIPPING WEIGHT - kg		390		
****AGENCY APPROVALS		c_ETL _{us} CE		

*Overall depth includes vacuum breaker to door handle.

**High, Very High, and Ultra High Spin Speeds are available on the Xtronic OPL models only.

***Circuit breaker and amp draw data shown are for models without electric heat. Consult factory for other configurations. Manufacturer strongly recommends using a circuit breaker instead of fuses. Use 3-pole circuit breakers for 3-phase machines.

****Agency approvals may vary depending on configuration. Consult factory for details. Steam connection requires 1/2" N.P.T.

For the most accurate information, the installation guide should be used for all design and construction purposes. Due to continuous product improvements, design and specifications subject to change without notice. The quality management system of Alliance Laundry Systems has been registered to ISO 9001.

Xtronic OPL

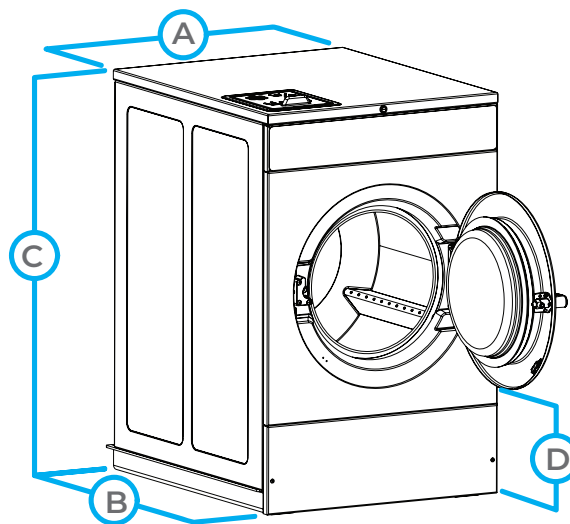


Customize your washing power with the ability to choose between three water levels while eliminating wasted water with advanced leak detection. PC programming, audit data retrieval and advanced diagnostics save time, while 200 G-Force extraction speeds reduce drying time and utility consumption.

Xtronic VEND



For laundry managers requiring basic management options, Xtronic VEND offers a 100 or 200 G-Force extraction speed, 4 cycle selections, 30 water levels, 2 cycle modifiers (Extra wash, Extra rinse) and manual programming.



MODEL	PC60
A. OVERALL WIDTH - mm	865
B. *OVERALL DEPTH - mm	1081
C. OVERALL HEIGHT - mm	1267
D. DOOR BOTTOM TO FLOOR - mm	379

The Primus preserves the right to change the machines and the specification in this leaflet at any time, without prior notice. Details and photographs are only for information and never binding.

www.primuslaundry.com

Primus by Alliance Laundry Systems



HIGHLY EFFICIENT HARD-MOUNT WASHER EXTRACTORS

PC
RANGE

PC80

36KG



FEATURES

- Hard-mount, medium spin, up to 200 G-factor
- Stainless steel front panel & door, skin plate side panels
- Robotically welded frame
- Stainless steel drum and tub
- Control: Xtronic OPL – easy to use microprocessor
- 4-compartment soap box
- One piece cast bearing housing: long life span
- Heavy duty variable speed motor: smooth start and stop
- Patented “Water Guardian”: detects leaking valves
- Durable door latch and lock mechanism
- Large door opening: easy loading & unloading

OPTIONS

- Xtronic VEND – 4 cycles
- Stainless steel side panels
- Liquid soap pumps

MODEL		PC80	
CONTROL OPTION		Xtronic OPL Xtronic VEND	
CAPACITY - kg		36	
OVERALL WIDTH - mm		1054	
*OVERALL DEPTH - mm		1234	
OVERALL HEIGHT - mm		1426	
CYLINDER DIAMETER - mm		916	
CYLINDER DEPTH - mm		559	
CYLINDER VOLUME - liters		354	
DOOR OPENING SIZE - mm		470	
DOOR BOTTOM TO FLOOR - mm		455	
WATER INLET CONNECTION - mm		19	
DRAIN DIAMETER - mm		76	
DRAIN HEIGHT TO FLOOR - mm		145	
MOTOR POWER CONSUMPTION - hp (kw)		5 (3.7)	
TOTAL # OF SPEEDS		6, 9	
CYLINDER SPEEDS - RPM (G-FORCE)		Gentle	28 (0.4)
		Wash	39 (.8)
		Distribution	70 (2.5)
		Very Low	230 (27)
		Low	396 (80)
		Medium	443 (100)
		** High	495 (120)
		**Very High	542 (150)
		**Ultra High	626 (200)
*** VOLTAGE/ CIRCUIT BREAKER - FLA	X	200-208/220- 240/50/60/1/3	15-12 (1 Ph) 15-8 (3 Ph)
	Q	200-208/220-240/50/60/3	15-8
	N	440-480/50/60/3	15-5
	P	380-415/50/60/3	15-5
SHIPPING DIMENSIONS APPROX. - mm		Width	1118
		Depth	1384
		Height	1488
NET WEIGHT - kg		549	
SHIPPING WEIGHT - kg		572	
SLAT CRATE SHIPPING WEIGHT - kg		628	
****AGENCY APPROVALS		c ETL-us, CE	

*Overall depth includes vacuum breaker to door handle.

**High, Very High, and Ultra High Spin Speeds are available on the Xtronic OPL models only.

***Circuit breaker and amp draw data shown are for models without electric heat. Consult factory for other configurations. Manufacturer strongly recommends using a circuit breaker instead of fuses. Use 3-pole circuit breakers for 3-phase machines.

****Agency approvals may vary depending on configuration. Consult factory for details. Steam connection requires 1/2" N.P.T.

For the most accurate information, the installation guide should be used for all design and construction purposes. Due to continuous product improvements, design and specifications subject to change without notice. The quality management system of Alliance Laundry Systems has been registered to ISO 9001.

Xtronic OPL

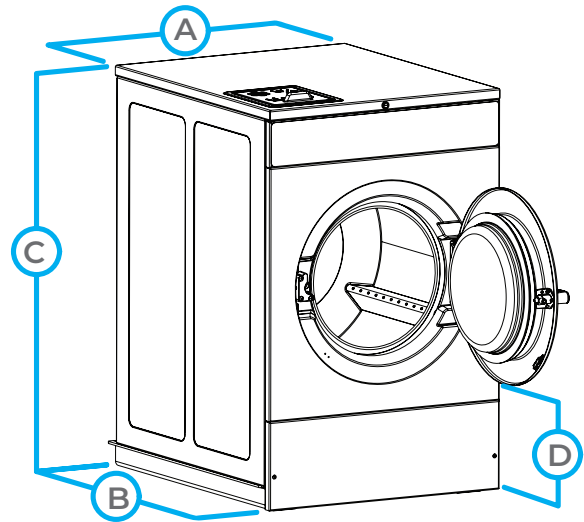


Customize your washing power with the ability to choose between three water levels while eliminating wasted water with advanced leak detection. PC programming, audit data retrieval and advanced diagnostics save time, while 200 G-Force extraction speeds reduce drying time and utility consumption.

Xtronic VEND



For laundry managers requiring basic management options, Xtronic VEND offers a 100 or 200 G-Force extraction speed, 4 cycle selections, 30 water levels, 2 cycle modifiers (Extra wash, Extra rinse) and manual programming.



MODEL	PC80
A. OVERALL WIDTH - mm	1054
B. *OVERALL DEPTH - mm	1234
C. OVERALL HEIGHT - mm	1426
D. DOOR BOTTOM TO FLOOR - mm	455

The Primus preserves the right to change the machines and the specification in this leaflet at any time, without prior notice. Details and photographs are only for information and never binding.

www.primuslaundry.com

Primus by Alliance Laundry Systems



HIGHLY EFFICIENT HARD-MOUNT WASHER EXTRACTORS

PC
RANGE

PC100

45KG



FEATURES

- Hard-mount, medium spin, up to 200 G-factor
- Stainless steel front panel & door, skin plate side panels
- Robotically welded frame
- Stainless steel drum and tub
- Control: Xtronic OPL – easy to use microprocessor
- 4-compartment soap box
- One piece cast bearing housing: long life span
- Heavy duty variable speed motor: smooth start and stop
- Patented “Water Guardian”: detects leaking valves
- Durable door latch and lock mechanism
- Large door opening: easy loading & unloading

OPTIONS

- Xtronic VEND – 4 cycles
- Stainless steel side panels
- Liquid soap pumps

MODEL		PC100	
CONTROL OPTION		Xtronic OPL Xtronic VEND	
CAPACITY - kg		45	
OVERALL WIDTH - mm		1054	
*OVERALL DEPTH - mm		1336	
OVERALL HEIGHT - mm		1426	
CYLINDER DIAMETER - mm		916	
CYLINDER DEPTH - mm		610	
CYLINDER VOLUME - liters		434	
DOOR OPENING SIZE - mm		470	
DOOR BOTTOM TO FLOOR - mm		455	
WATER INLET CONNECTION - mm		19	
DRAIN DIAMETER - mm		76	
DRAIN HEIGHT TO FLOOR - mm		145	
MOTOR POWER CONSUMPTION - hp (kw)		5 (3.7)	
TOTAL # OF SPEEDS		6, 9	
CYLINDER SPEEDS - RPM (G-FORCE)		Gentle	28 (0.4)
		Wash	39 (.8)
		Distribution	70 (2.5)
		Very Low	230 (27)
		Low	396 (80)
		Medium	443 (100)
		** High	495 (120)
		**Very High	542 (150)
		**Ultra High	568 (165)
*** VOLTAGE/ CIRCUIT BREAKER - FLA	X	200-208/220- 240/50/60/1/3	20-16 (1 Ph) 15-10 (3 Ph)
	Q	200-208/220-240/50/60/3	15-10
	N	440-480/50/60/3	15-7
	P	380-415/50/60/3	15-7
SHIPPING DIMENSIONS APPROX. - mm		Width	1118
		Depth	1486
		Height	1488
NET WEIGHT - kg		572	
SHIPPING WEIGHT - kg		594	
SLAT CRATE SHIPPING WEIGHT - kg		651	
****AGENCY APPROVALS		cETL _{us}	

*Overall depth includes vacuum breaker to door handle.

**High, Very High, and Ultra High Spin Speeds are available on the Xtronic OPL models only.

***Circuit breaker and amp draw data shown are for models without electric heat. Consult factory for other configurations. Manufacturer strongly recommends using a circuit breaker instead of fuses. Use 3-pole circuit breakers for 3-phase machines.

****Agency approvals may vary depending on configuration. Consult factory for details. Steam connection requires 1/2" N.P.T.

For the most accurate information, the installation guide should be used for all design and construction purposes. Due to continuous product improvements, design and specifications subject to change without notice. The quality management system of Alliance Laundry Systems has been registered to ISO 9001.

Xtronic OPL

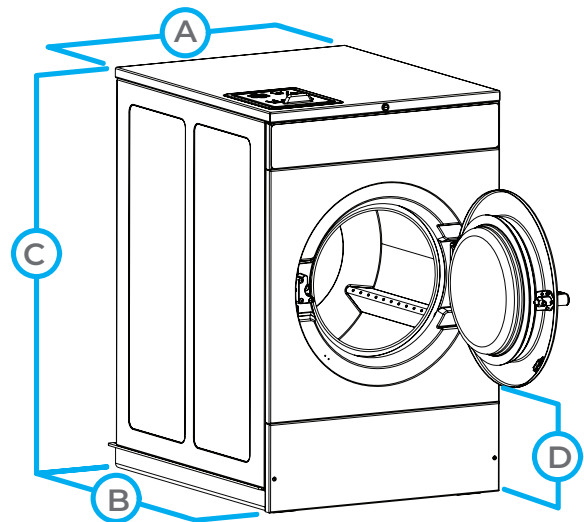


Customize your washing power with the ability to choose between three water levels while eliminating wasted water with advanced leak detection. PC programming, audit data retrieval and advanced diagnostics save time, while 200 G-Force extraction speeds reduce drying time and utility consumption.

Xtronic VEND



For laundry managers requiring basic management options, Xtronic VEND offers a 100 or 200 G-Force extraction speed, 4 cycle selections, 30 water levels, 2 cycle modifiers (Extra wash, Extra rinse) and manual programming.



MODEL	PC100
A. OVERALL WIDTH - mm	1054
B. *OVERALL DEPTH - mm	1336
C. OVERALL HEIGHT - mm	1426
D. DOOR BOTTOM TO FLOOR - mm	455

The Primus preserves the right to change the machines and the specification in this leaflet at any time, without prior notice. Details and photographs are only for information and never binding.

www.primuslaundry.com

Primus by Alliance Laundry Systems

